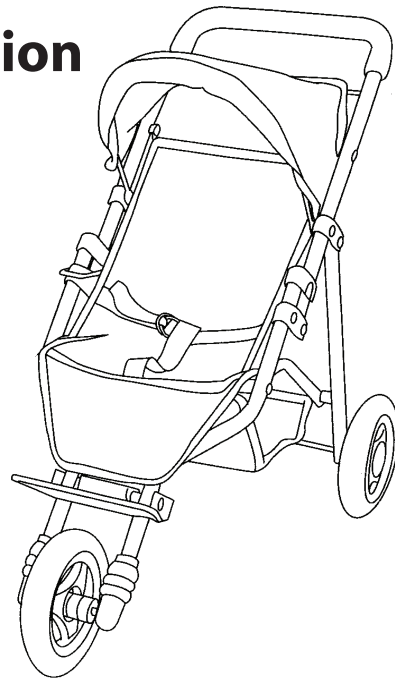
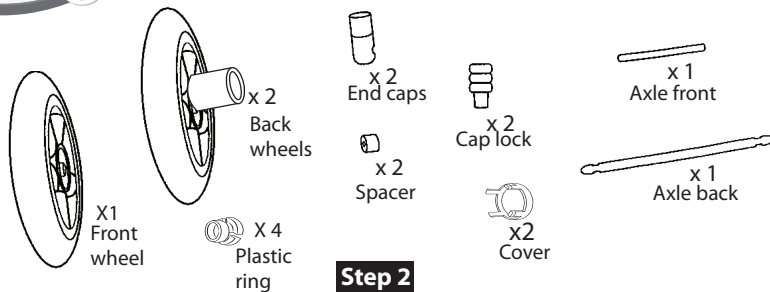




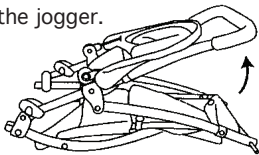
# Baby Doll Stroller Instruction

## Components



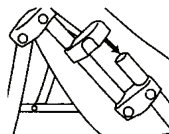
## Step 1

Unfold the jogger.



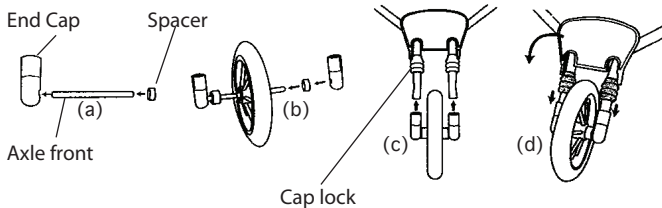
## Step 2

When unfolding the jogger the safety locks will automatically secure the frame.



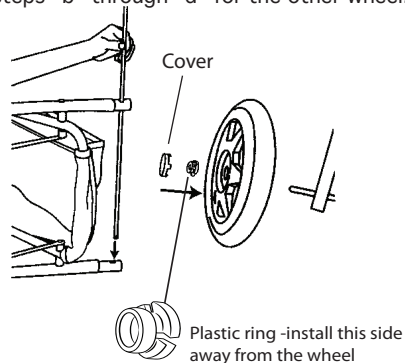
## Step 3

- Attach end cap to the front axle followed by a spacer.
- Slide front wheel onto axle followed by a spacer and then the other end cap.
- Align the end caps with the front fork of the jogger. Push up on the end caps until they snap into place on the fork.
- Push the cap locks down until snug.



## Step 4

- Insert back axle through the holes in the jogger frame.
- Slide wheel onto one end of the back axle.
- Snap plastic ring onto the end of the back axle. The smaller portion of the ring should face outward. Please refer to picture for correct orientation of the ring.
- Snap cover onto wheel.
- Repeat steps "b" through "d" for the other wheel.



## WARNING

- This item is a toy and is not suitable for carrying babies, children or pets.
- Assembly and disassembly should be carried out by an adult to prevent the item from collapsing during use.
- Please remove all packaging attachments before giving this item to your child.
- Not suitable for children under 3 years of age, due to small parts.
- Keep hands off from movable parts.
- Customer information: Please Keep this instruction sheet for future reference.

**WARNING:**  
**CHOKING HAZARD - Small Parts**  
 Not For Children Under 3 Yrs.

Item No. 24982  
 Printed in China  
 F-523A-12